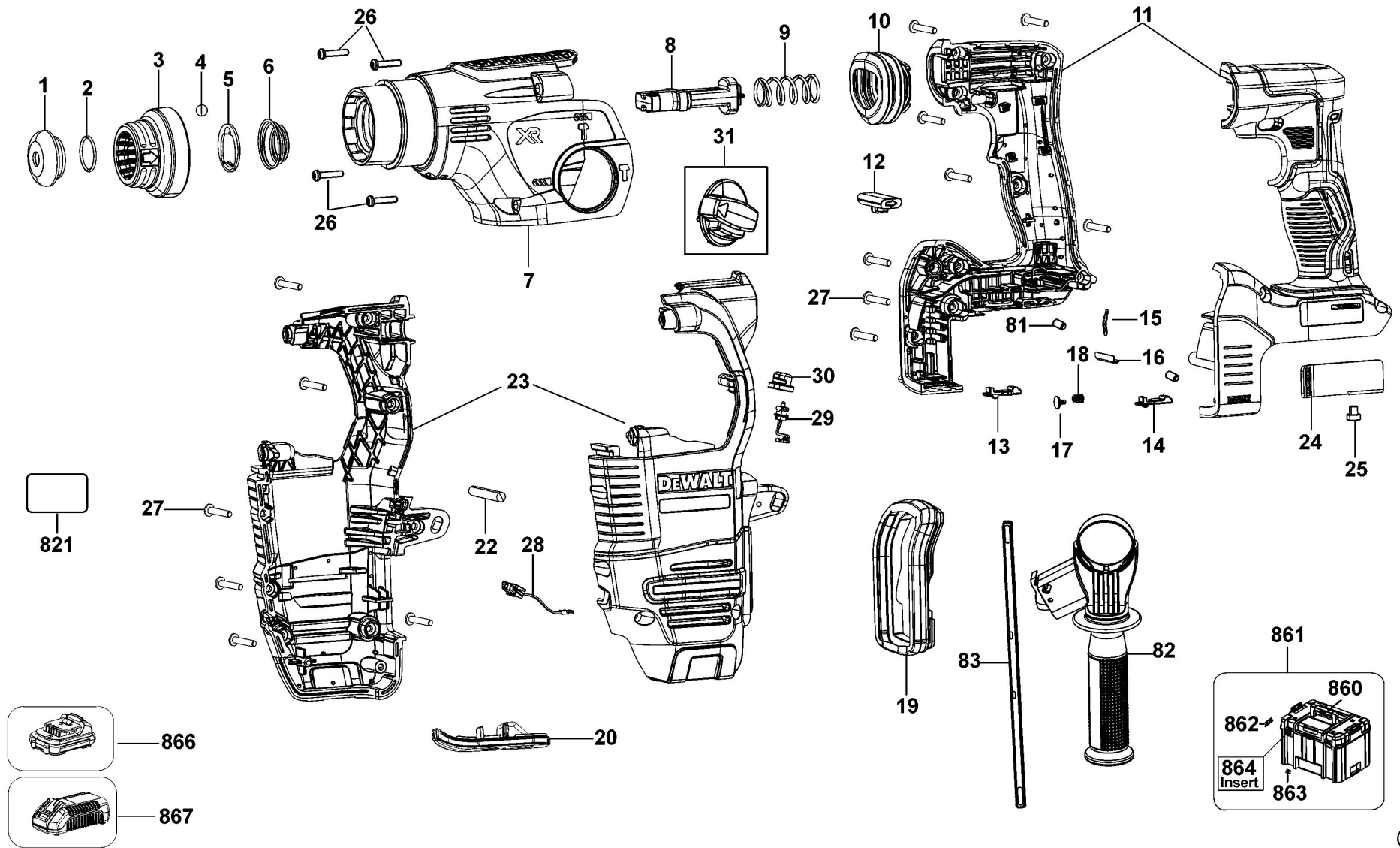
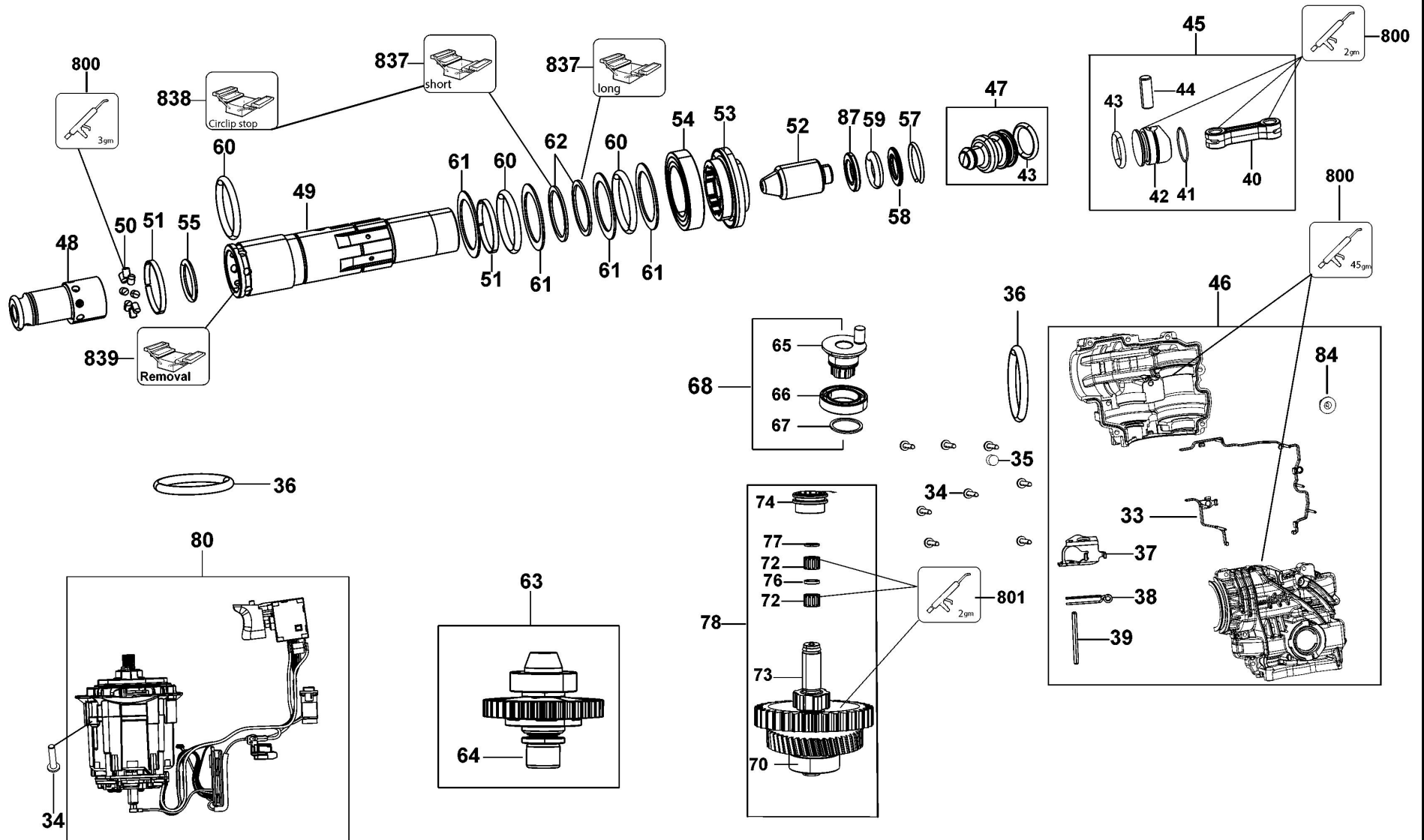


# DCH283 Main unit HAMMER DRILL 1



# DCH283 Motor HAMMER DRILL 1



## Parts List DCH283 HAMMER DRILL 1

Item	Part Number	Qty	Part Description	General Description	Other Info	Repair Inst	Markets
1	323489-00	1	CAP			No	QW
2	579212-00	1	RING			No	QW
3	N910599	1	TUBE			No	QW
4	583890-00	1	BALL			No	QW
5	578387-00	1	WASHER			No	QW
6	871690	1	SPRING			No	QW
7	N564446	1	HOUSING FRONT		SDS	No	QW
8	N152623	1	STOP			No	QW
9	N106188	1	SPRING COMPRESSION			No	QW
10	N106221-01	1	BELLOWS			No	QW
11	N466949	1	HANDLE SA			No	QW
12	N431292	1	BAR			No	QW
13	N438439	1	INSERT			No	QW
14	N438438	1	INSERT			No	QW
15	N400082	1	SPRING			No	QW
16	N094649	1	PLATE			No	QW
17	N122099	1	BLOCK			No	QW
18	N119679	1	SPRING			No	QW
19	N427167	1	BELLOWS			No	QW
20	N462963	1	END CAP			No	QW
22	N159443	1	AXIS			No	QW
23	N468255	1	HOUSING MOTOR			No	QW
24	N461541	1	HOOK			No	QW
25	N400130	1	SCREW			No	QW
26	330019-20	4	SCREW			No	QW
27	330019-80	15	SCREW			No	QW
28	N445349	1	LED LIGHT			No	QW
29	N452980	1	INDICATOR			No	QW
30	656183-00	1	LENS			No	QW
31	N267567	1	SELECTOR SA			No	QW
33	NA384556	1	SEAL SA			No	QW
34	324006-15	12	SCREW			No	QW

## Parts List DCH283 HAMMER DRILL 1

Item	Part Number	Qty	Part Description	General Description	Other Info	Repair Inst	Markets
35	N038257	1	FELT			No	QW
36	N423558	2	O RING			No	QW
37	N431392	1	PLATE			No	QW
38	NA387490	1	SPRING			No	QW
39	N433763	1	PIN			No	QW
40	N390874	1	CON ROD		inc	No	QW
41	000000-11	1	NO LONGER REQUIRED ON THIS UNI			No	QW
42	N517447	1	PISTON			No	QW
43	N394408	2	O RING			No	QW
44	N123257	1	PIN			No	QW
45	N505552	1	PISTON KIT		inc	No	QW
46	N616792	1	GEARCASE SA			No	QW
47	N505553	1	RAM SA		inc 43	No	QW
48	N783458	1	SPINDLE			No	QW
49	N583351	1	SPINDLE			No	QW
49	N583351	1	SPINDLE			No	QW
50	N468472	8	PIN			No	QW
51	N467014	2	RETAINER			No	QW
52	N459378	1	BEAT PIECE			No	QW
53	N406771	1	BEVEL GEAR			No	QW
54	479478-00	1	BEARING,BALL			No	QW
55	N412167	1	O RING			No	QW
57	N413186	1	CIRCLIP			No	QW
58	N502900	1	WASHER			No	QW
58	N502900	1	WASHER			No	QW
59	N388939	1	WASHER			No	QW
60	N421627	3	O RING			No	QW
61	N395027	4	WASHER			No	QW
62	N422601	2	CIRCLIP			No	QW
63	N605730	1	CLUTCH SA			No	QW
64	330004-06	1	BEARING NEEDLE			No	QW
65	N452829	1	CRANKSHAFT			No	QW

## Parts List DCH283 HAMMER DRILL 1

Item	Part Number	Qty	Part Description	General Description	Other Info	Repair Inst	Markets
66	N427179	1	BEARING			No	QW
67	N453028	1	CLIP			No	QW
68	N505555	1	CRANKSHAFT		inc 65,66,67	No	QW
70	N110358	1	BEARING			No	QW
72	N427177	2	BEARING CAGE			No	QW
73	N513678	1	GEAR SA			No	QW
74	N264669	1	COLLAR			No	QW
76	N433668	1	BUSH			No	QW
77	323763-10	1	LOCKING RING			No	QW
78	N593071	1	TRANSMISSION SA			No	QW
80	N505557	1	MOTOR SA			No	QW
81	N186764	2	RUBBER PAD			No	QW
82	N413662	1	HANDLE SIDE SA			No	QW
83	798846-02	1	DEPTH STOP			No	QW
84	N374339	1	INSERT			No	QW
87	N388939	1	WASHER			No	QW
800	578970-04	1	GREASE	80g		No	QW
821	N491320	1	RATING LABEL			No	QW
837	1003969-99	1	S.T.CIRCLIP INSERTER		Short	No	QW
837	1003968-99	1	S.T.CIRCLIP INSERTER		Long	No	QW
838	1003967-99	1	S.T.CIRCLIP INSERTER		Circlip Limit	No	QW
839	1003970-99	1	S.T.DIS-ASSEMBLY JIG		Stop Piston Removal	No	QW
860	H1400196008	1	HANDLE			No	QW
861	N445186	1	KITBOX			No	QW
862	N409477	1	LATCH			No	QW
863	P910190	2	LATCH			No	QW
864	N493397	1	INSERT		DCH283P2	No	QW
866	N394624	1	BATTERY 18V - 5.0AH - 90WH		DCH283P2	No	QW
867	N450536	1	CHARGER SA	DCS565P2-QW / DCB115		No	QW
909	NA473152	1	REPAIR KIT		DC &lt; 42 - 2023	No	QW